



EuroTouch
CRÉATEUR DE SOLUTIONS TACTILES

Eurotouch AD/Board

LCD Control Board

Eurotouch IS serie - VGA and/or DVI



CONTENTS

TITLE	PAGE
CONTENTS	page 1 of 6
RECORD OF REVISIONS	page 1 of 6
GENERAL DESCRIPTION	page 2 of 6
FUNCTION LAYOUT	page 2 of 6
FEATURES	page 3 of 6
INTERFACE DEFINITION	page 3 of 6
CONTROLLER DIMENSIONS	page 5 of 6
KEY & IR BOARD SYSTEM SCHEMATIC	page 6 of 6
OPERATION REQUIREMENT	page 6 of 6



1. GENERAL DESCRIPTION

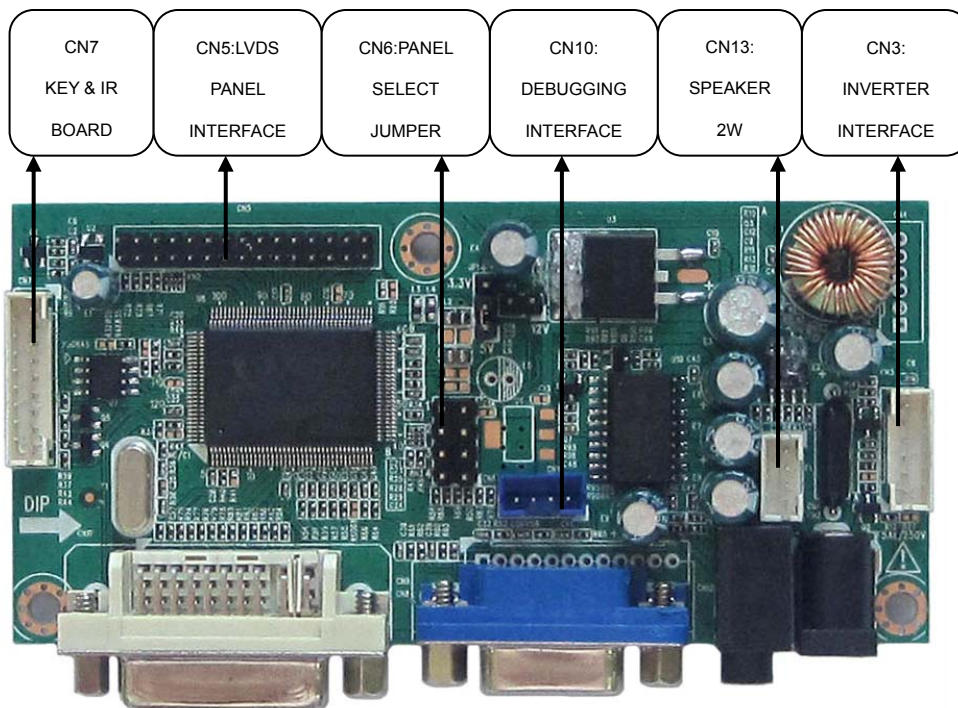
Ò` !| ç ~ &@ÖÖÖ| æåÅ is a multi-purpose LCD monitor. It is designed to support dual/single LVDS LCD panel.

Ò` !| ç ~ &@ÖÖÖ| æåÅ can support DVI, VGA and PC Audio input.

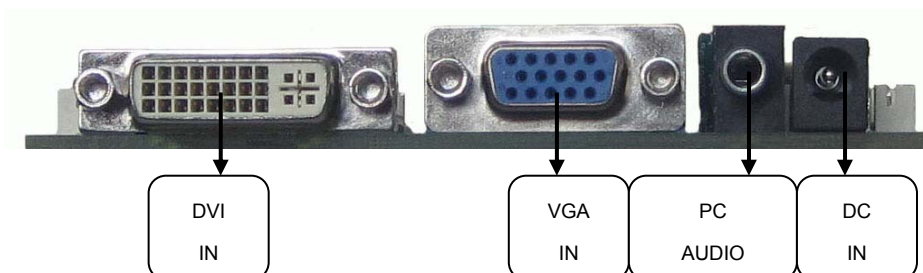
Note:The specification of the board includes the description of all functions. Therefore,our clients can select the functions which they require to produce the board.But the specification can be shared together.

2. FUNCTION LAYOUT

The following all pictures are only for reference. Please take the actual objects as a standard.



Side Elevation of 9i fclci W '5 8 #6 cUX'





3. FEATURES

Below you will find the detailed features.

OSD LANGUAGE	Chinese, English, (French, Spanish, Italian, German, Portuguese, Dutch, Korean) (Option)		
VIDEO INPUT	PC-RGB	Format	Up to 1920*1080@60HZ
		Color	16bit, 24bit, 32bit
	DVI	Format	Up to 1920*1080@60HZ
		Operating Speed	165MHz
POWER	Power Requirement	12V	
	To panel	3.3V, 5V, 12V	
	Manage	Low power consumable mode: standby ≤ 3w	
AUDIO INPUT	PC-RGB, DVI	PC Audio input	
KEY FUNCTIONS	AUTO, MENU, LEFT, RIGHT, EXIT, ON/OFF		
AUDIO OUTPUT	2 W @ 8Ω		
TERMINAL	Input	PC-RGB Input	1D-SUB 15PIN terminal blue color
		PC-RGB Audio Input	1 black color terminal
		DVI Input	1 DVI 24PIN
	Output	To Panel	LVDS 30PIN/2.0 jack

4. INTERFACE DEFINITION

CN3 (6PIN/2.0) INVERTER INTERFACE

NO.	SYMBOL	DESCRIPTION	ELECTRIC CHARACTER
1	GND	Ground	---
2	GND		
3	ADJUST	Brightness adjustment	0-5V adjustable
4	BKLTON	Black-light ON/OFF control	5V , 1K ohm output impedance
5	12V_POWER	+12V DC Power supply	INVERTER Power Supply
6	12V_POWER	+12V DC Power supply	INVERTER Power Supply

CN5 (2*15PIN/2.0) LVDS PANEL INTERFACE

NO.	SYMBOL	DESCRIPTION
1	LCDPWR	Power for panel
2	CT	Mode pin for panel
3	LCDPWM	Power for panel



4	GND	Ground
5	GND	
6	GND	
7	TXE0-	LVDS EVEN 0- Signal
8	TXE0+	LVDS EVEN 0+ Signal
9	TXE1-	LVDS EVEN 1- Signal
10	TXE1+	LVDS EVEN 1+ Signal
11	TXE2-	LVDS EVEN 2- Signal
12	TXE2+	LVDS EVEN 2+Signal
13	GND	Ground
14	GND	
15	TXEC-	LVDS EVEN Clock- Signal
16	TXEC+	LVDS EVEN Clock+ Signal
17	TXE3-	LVDS EVEN 3- Signal
18	TXE3+	LVDS EVEN 3+Signal
19	TXO0-	LVDS ODD 0- Signal
20	TXO0+	LVDS ODD 0+ Signal
21	TXO1-	LVDS ODD 1- Signal
22	TXO1+	LVDS ODD 1+ Signal
23	TXO2-	LVDS ODD 2- Signal
24	TXO2+	LVDS ODD 2+ Signal
25	GND	Ground
26	GND	
27	TXOC-	LVDS ODD Clock- Signal
28	TXOC+	LVDS ODD Clock+ Signal
29	TXO3-	LVDS ODD 3- Signal
30	TXO3+	LVDS ODD 3+ Signal

CN7 (9PIN/2.0) KEY& IR BOARD

NO.	SYMBOL	DESCRIPTION
1	EXIT	EXIT Key
2	MENU	MENU Key
3	AUTO	AUTO Key
4	LEFT	LEFT Key
5	RIGHT	RIGHT Key
6	GND	Ground
7	G_LED	Green indicator
8	R_LED	Red indicator
9	ON/OFF	ON/OFF Key

CN10 (4PIN/2.0) DEBUGGING INTERFACE



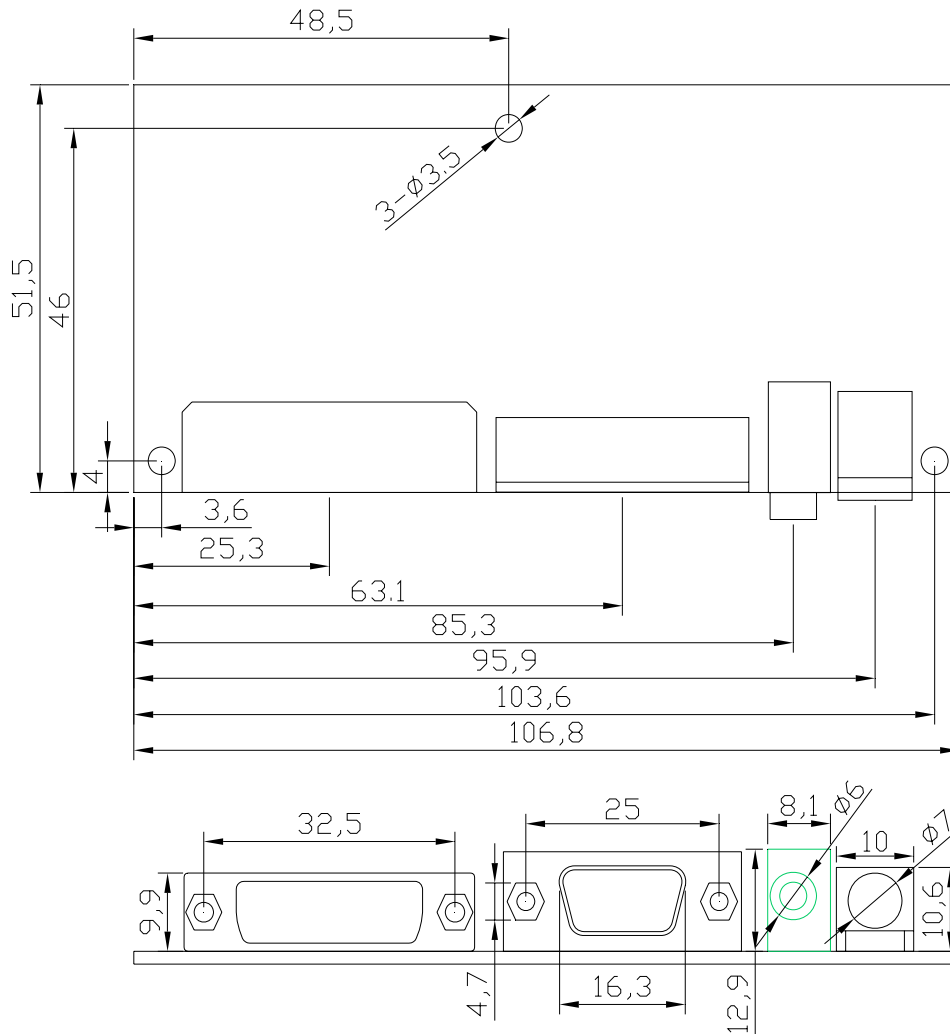
NO.	SYMBOL	DESCRIPTION
1	GND	Ground
2	TXD	Transmit data
3	RXD	Receive data
4	5V	+5V DC Power supply

CN13 (4PIN/2.0) SPEAKER

NO.	SYMBOL	DESCRIPTION
1	AMP_L	Left audio channel out
2	GND	Ground
3	GND	Ground
4	AMP_R	Right audio channel out

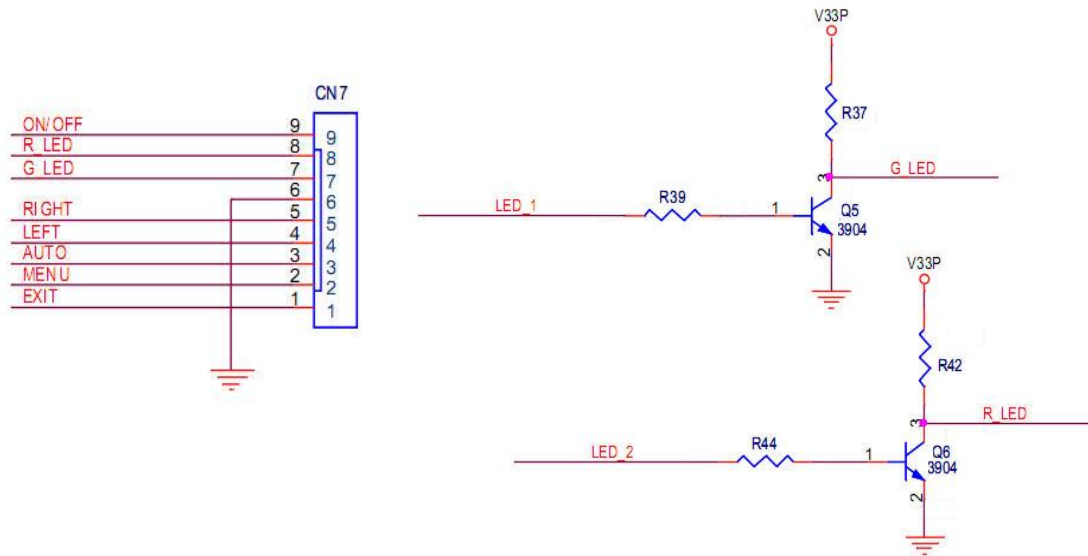
5. CONTROLLER DIMENSIONS

The dimension is identical to the actual objects. But maybe exist the slight error of measures about 1%. It is allowed in design.





6. KEY BOARD & IR BOARD SYSTEM SCHEMATIC



7. OPERATION REQUIREMENT

- Do not pressed and distorted.
- Keep away from static and water.
- Relative humidity : $\leq 80\%$
- Storage temperature: $-10 \sim +60^{\circ}\text{C}$
- Operation temperature: $0 \sim +40^{\circ}\text{C}$