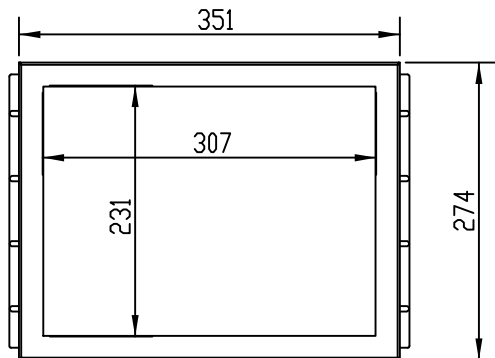
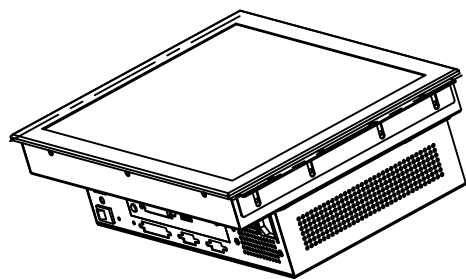
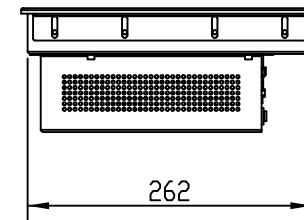
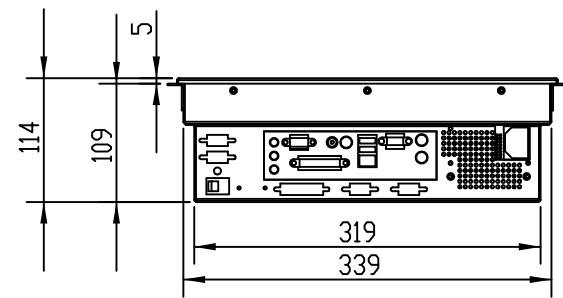
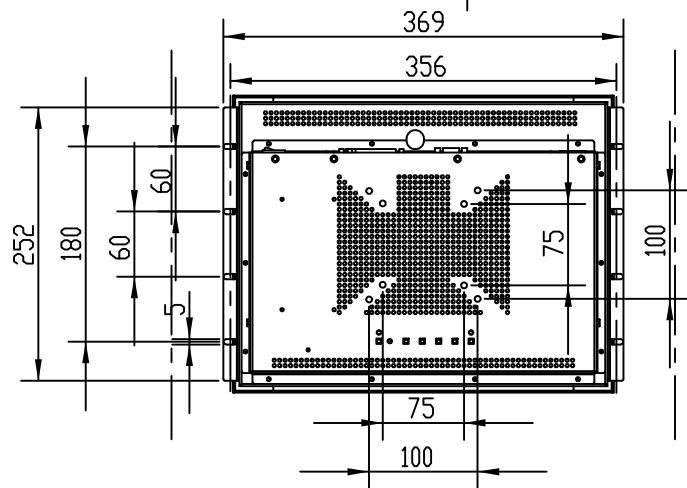



1 2 3 4 5 6 7 8

A
B
C
D
E



Rep	Qty	N° Plan	Designation	Matiere	Ref. Fournisseur	Fournisseur
1		2		3	4	

UNLESS OTHERWISE SPECIFIED DIMENSIONS ARE IN MILLIMETERS		FINISH: EUROTOUCH		DEBUR AND BREAK SHARP EDGES	
SURFACE FINISH: ZA DE LOURMET		31180 CASTELMAUROU		Toute reproduction ou communication est interdite sans autorisation	
TOLERANCES: LINEAR: ANGULAR:		Tél: 05 61 35 84 30			
DRAWN	NAME	SIGNATURE	DATE	Panel PC 15" TYR	
CHK'D			24/05/12	Version ST [PM]	
APPV'D				Projet PPC TYR15P	
MFG				DVG NO. 660004	
QA				A3	

SCALE: 1:5	SHEET: 01
------------	-----------