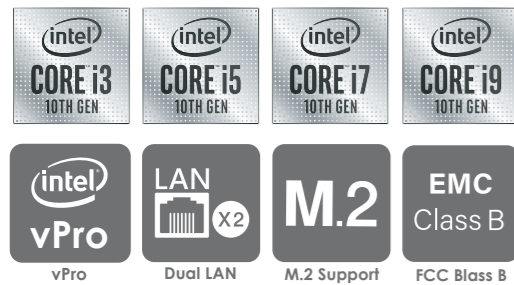


E410-13CMI

Fanless Embedded System
with Intel® Comet Lake TDP up to 35W

Introduction

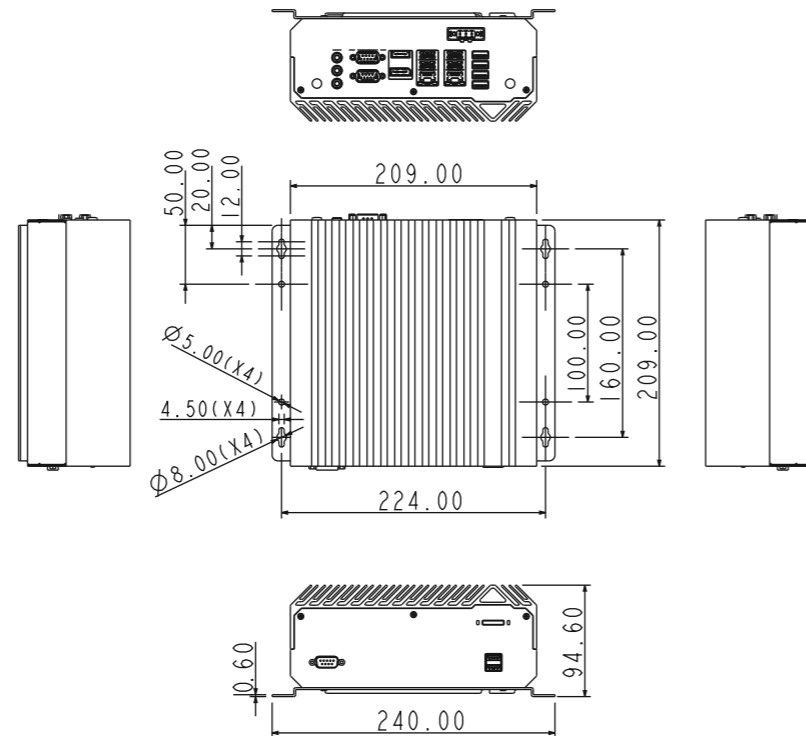
- 10th Comet Lake LGA Processor, up to i9 35W
- Intel® H420E Chipset
- 2 x DDR4 SO-DIMM up to 64GB
- Support Dual Display for HDMI, DisplayPort
- 1 x M.2 2280M-key, 1 x M.2 2230 E-key (CNVi), 1 x mPCIe Full size
- 6 x USB2.0, 5 x USB3.0, 2 x COM, 8-bit GPIO



I/O Interface



Dimension (mm)



E410 Fanless Embedded System

SYSTEM	
CPU	10th Gen Intel® Comet Lake LGA1200 Socket Processor 10core TDP Max 35W
Chipset	Intel® H420E
System Memory	DDR4 2933/2666/2400MHz / 2 x 260-pin SO-DIMM / Max. 64GB (Non-ECC)
Graphics	Intel® HD Graphics
Display Interface	HDMI, DisplayPort
Storage Slot	1 x 2.5" HDD/SSD BKT 1 x M.2 2280/2262/2242 SSD slot 1 x mSATA slot
Ethernet	Intel® I219-LM Giga LAN + Intel® I210-AT Giga LAN
Audio	Realtek® ALC888S
TPM	Nuvoton NPCT750AAAYX TPM2.0 (Optional)
I/O Chipset	Nuvoton NCT6126D
Expansion Slot	M.2 2242 / 2280 M key (SATA) Mini PCIe Full size (USB2.0 / SATAIII / PCIe x1) M.2 2230 E KEY (USB / PCIe x1)
Indicator	Power Button, Power LED, HDD LED
Front I/O	2 x USB2.0 8-bit GPIO in DB9 type
Rear I/O	1 x Mic-in , 1 x Line-out, 1 x Line-in 4 x USB 2.0, 4 x USB 3.2 Gen1 1 x HDMI 1.4, 1 x DisplayPort 1.2 2 x Giga LAN DC-in 12V in 3-pin terminal block connector 2 x SMA hole with rubber cap
Edge AI Engine(Optional)	Hailo-8™ M.2 2242 M key
Others	1 x USB 3.2 Gen1 typeA
POWER REQUIREMENT	
Power Input	1 x AT/ATX Jumper; 1 x Buzzer
Power Adapter	12V / 90W AD to DC Adaptor
MECHANICAL	
Thermal Design	Fanless
Mounting	Wall mount
Dimensions (W X D X H)	209mm x 209mm x 87mm
Material	Cold rolled steel and extruded aluminum front panel
ENVIRONMENTAL	
Operating Temperature	-20 ~ 50°C
Storage Temperature	-40 ~ 85°C
Operating Humidity	10%~95% R/H (Non-condensing)
Certification	CE & FCC Class A
OS	
OS Support	Windows® 10 64bit (2019 LTSC / 2021 LTSC)/Windows® 11 64bit Ubuntu 20.04

Ordering Information

Model Number	Processor	DisplayPort / HDMI	USB 3.1 / 2.0	LAN	M.2 2230 E key	mPCIe Full size	M.2 M Key	Line-out / Mic-in Line-in	Power
E400-13CMI	H420E	1 / 1	5 / 6	2	1	1	1	1 / 1 / 1	12V DC-in

*Option: TPM, WIFI / BT

Packing List

Packing		
• 1 x Embedded System	• 1 x 90W, 12V AC adaptor and US+ EU power cords	• 1 x CPU Heatspreader
• 1 x SATA Cable	• 1 x 3-pin terminal block to 6530 DC Jack cable	• 1 x Wall Mount Brackets