

DSI - DISTRIBUTION SERVICES INDUSTRIELS
Entreprise Adaptée – Entreprise Solidaire - L'efficacité d'une société de services par la volonté d'une entreprise adaptée

ETAK-1701VGA



- 17" LCD Monitor with LED Backlight
- Easy installation
- Low installation depth 411mm !!



ETAK-1701VGA is a 17" Monitor-Keybaord-Drawer with LED Backlight. A value keyboard with number block and touchpad completes the external design and makes it an allrounder device. The casing conforms the 1U Standard, is easily installed and mountable with the included mounting kit.

Specifications

- Practical DB-37 Combo connector, combined with our included cable ULS-V01-1 (1 x VGA, 1 x USB and 2 x PS/2)
- compatible with the most PS/2-KVM and USB KVM-switches
- Support friendly external power supply
- Supports all USB suitable operating systems: for example DOS, Windows Series / Server 2008 / Server 2013, Linux, MacOS, etc.
- Permanent Keyboard /Mouse emulation for safe function on all computers and operating systems



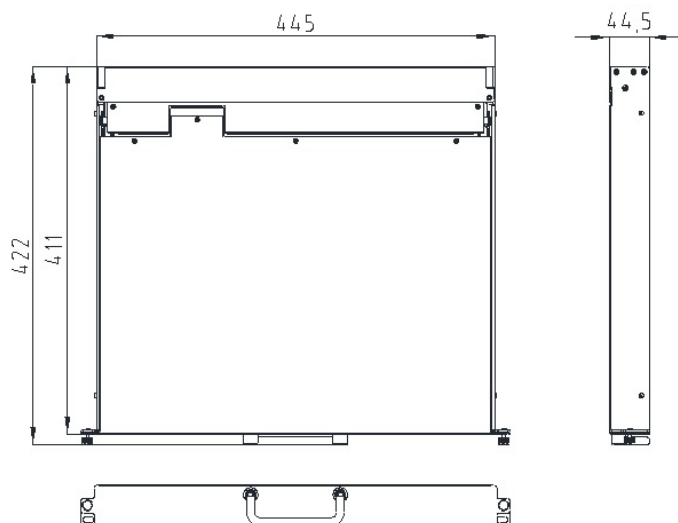
Properties

- 1U 17" LCD console, 422mm total depth
- Stepless, adjustable angle from 0 to 105° with high quality torque hinges
- Easy one-man-assembly with the included installation angles
- Adjustable depth: 411mm to 650mm (Standard)
Optional: conversion kit for 560mm to 900mm
- Chromed, hinged metal handle
- Practical knurled screws
- High graphic resolution, up to 1280 x 1024 with 60Hz

Keyboard versions

Available in following versions: German (DE), US-English (US), UK-English (UK), French (FR), Spanish (SP), Italian (IT), Swiss / German (CH) and swedish / finnish (SWE/FI)

Versions available on request: Turkish (TK) and Russian (RU)



Technical data:

Connections	Graphic / Keyboard / Mouse	1 x HDDB-37
	Power supply	1 x DC-12V
Connection cable (included)	PS/2 / USB / VGA Combo	ULS-V01-1 (1.2m)
Optional connection cable	PS/2 / USB / VGA Combo	ULS-V01-3 (3.0m)
Switch	LCD settings	5 Pressure switches
	ON / OFF	1 Pressure switch
	OFF (LCD folded)	1 Semi-covert pressure switch
LED-Display panel	Operation	1 x green/red
	Number	1 x blue
	Capital letters	1 x blue
	Scroll	1 x blue
Emulation	Keyboard/ Mouse	USB and PS/2
	Display	Yes
Graphic	17" LCD	1280 x 1024
	Colors	16,2 Mio.
	Frame Rate	H: 31,0 KHz. – 81,0 KHz. V: 56,0 KHz. – 76,0 KHz.
	Viewing angle	H: 140° / V: 130°
	Bandwith	140 Mhz.
	Brightness	300 cd/m ²
	Contrast	700 : 1
	Reaktion time	4 ms.
	Pixel pitch	0,264mm (H) x 0,264mm (V)
	Backlight	LED
Input values	100 V. – 240 V. AC, 48 Hz – 62 Hz	
Output values	DC 12V., 4,16A	
Power consumption	230 V / 18,8 Watt	
Certification	RoHS, RoHS2, CE	
Environment	Operating temperature	-10 - 50°C
	Storage temperature	-20 – 60°C
	Humidity	0 – 80% relative humidity (non condensing)
Physical properties	Casing	High performance steel
	Color	RAL 9005
	Weight	14.0 kg incl. angles
	Dimension (L x W x H) w/o handle	410 x 450 x 44.5mm (19" / 1U)
	Dimension (L x W x H) w. handle	422 x 450 x 44,5mm (19" / 1U)
	Packaging	Weight
Dimension (L x W x H)		74 x 62 x 18 cm

